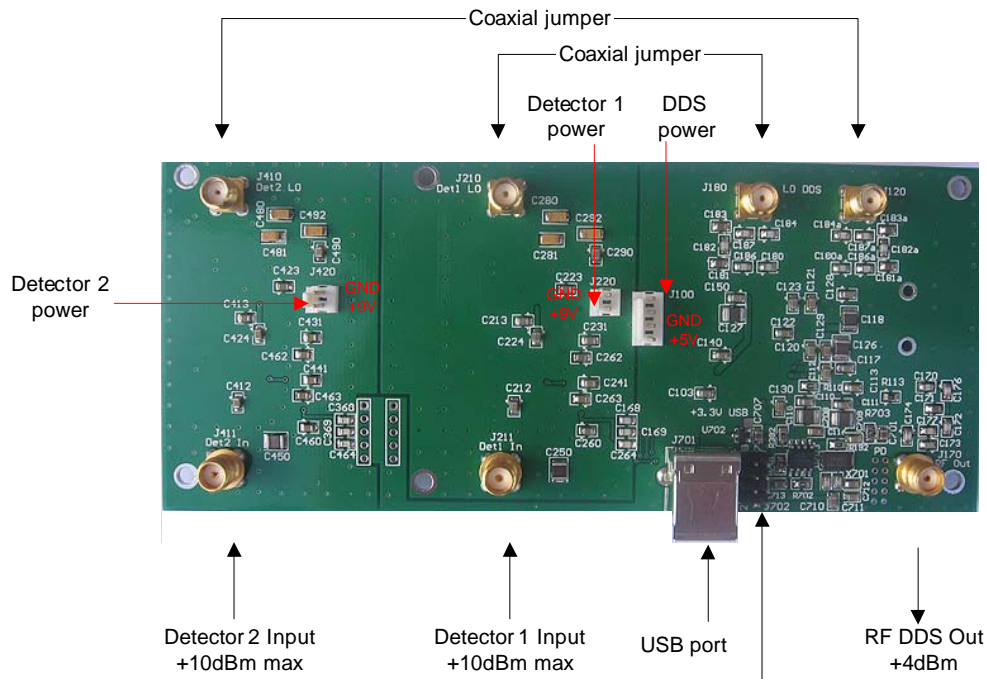


N2PK VNA board v5.0 connection diagram

v0.1 May 2009



J702 Extension Switch and Attenuator lines for RF I-V sensor, S-Parameters Test Set, and Attenuator.
Active level is +3.3V

Pin	Function
1,2,3	Ground
4	Att0
5	Sw1
6	Att1
7	SW0
8	Att2

Note: J702 lines are non-buffered and connected directly to the USB chip